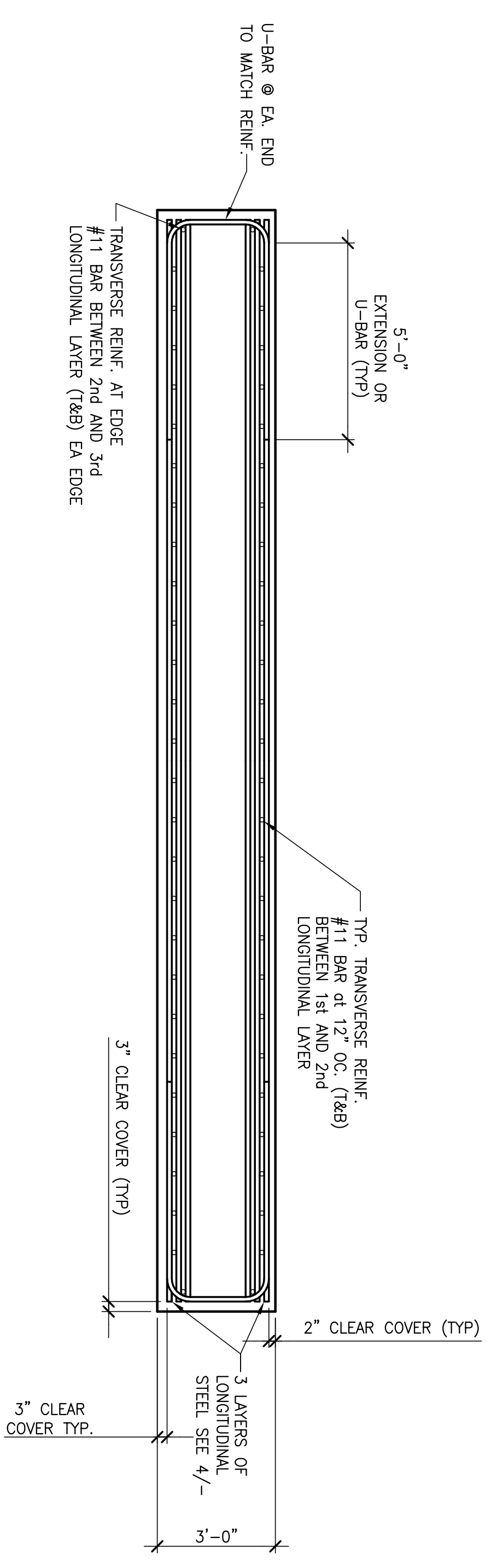
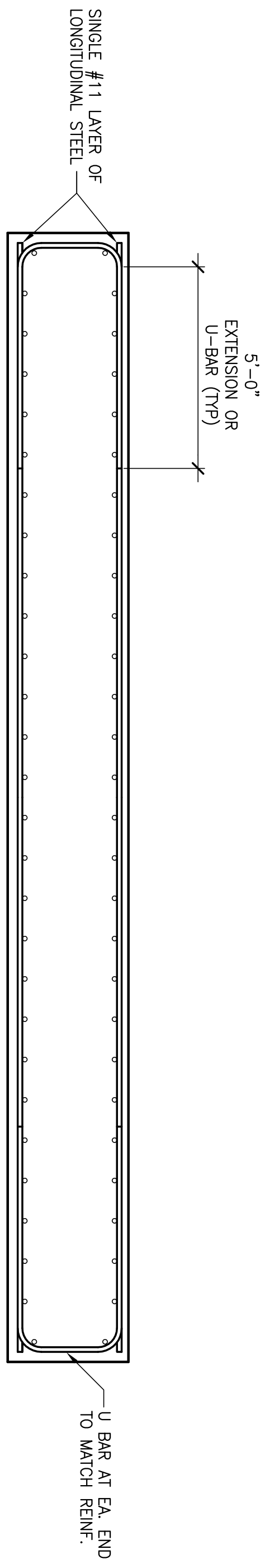


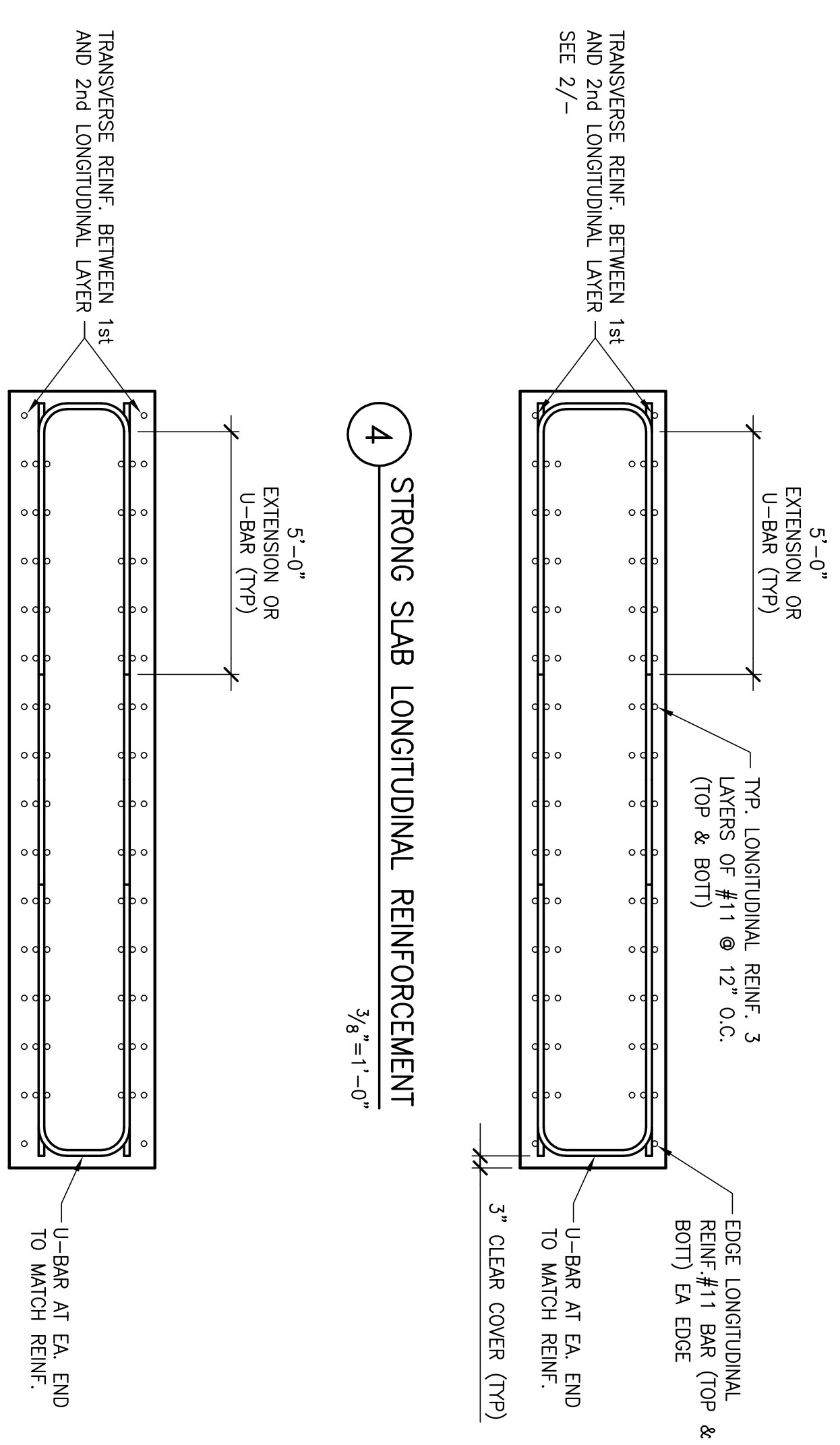
**1 STRONG SLAB REINFORCEMENT (PLAN VIEW)**  
 $\frac{3}{8}''=1'-0''$



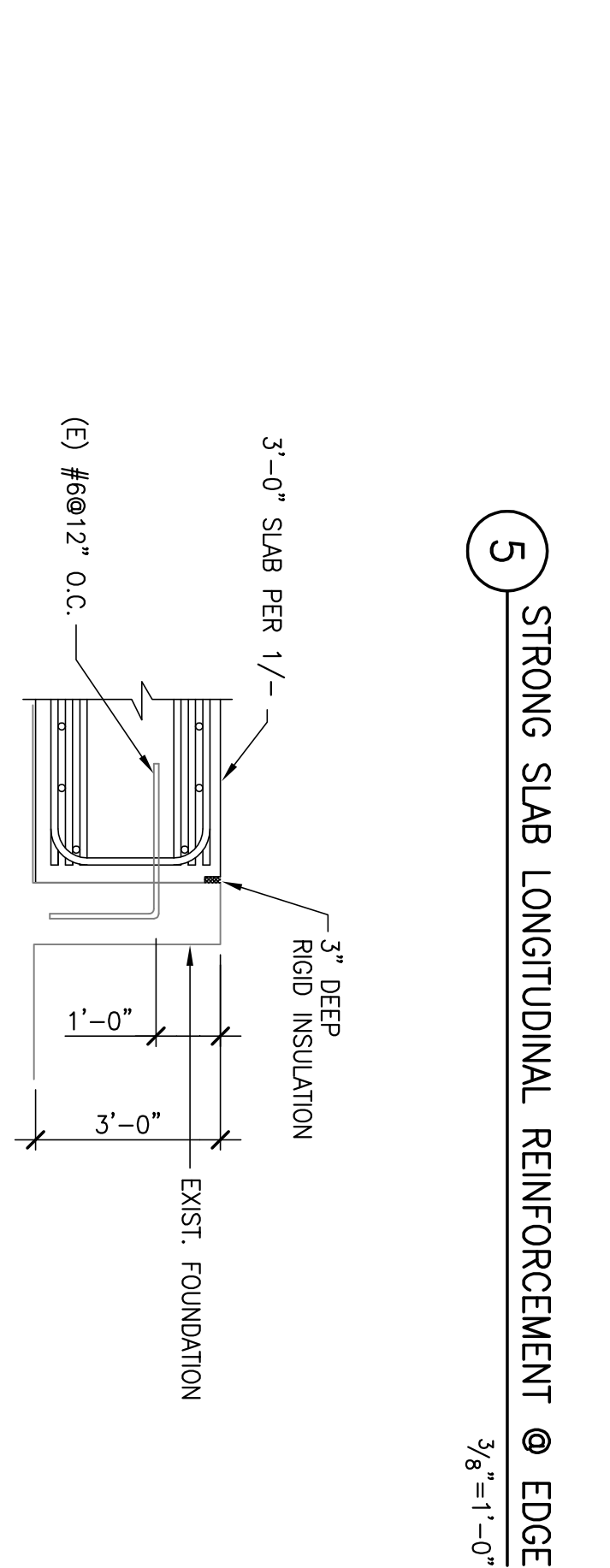
**2 STRONG SLAB TRANSVERSE REINFORCEMENT**  
 $\frac{3}{8}''=1'-0''$



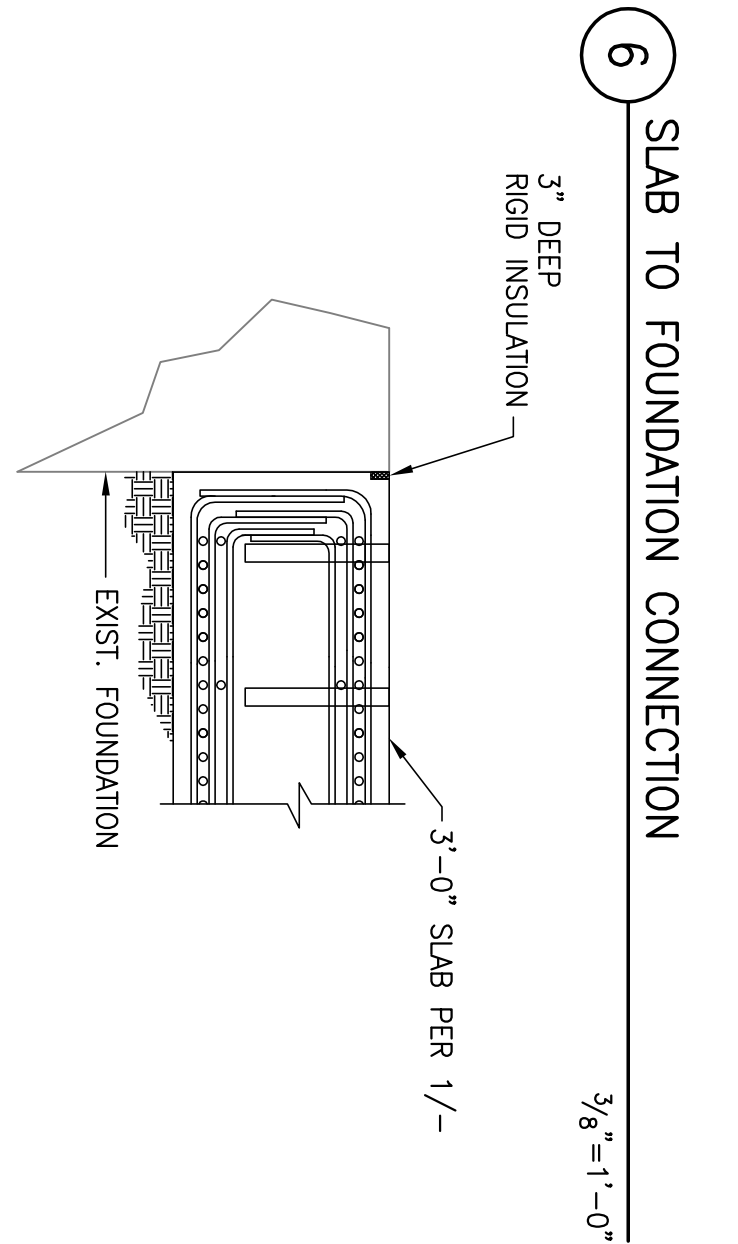
**3 STRONG SLAB TRANSVERSE REINFORCEMENT @ EDGE**  
 $\frac{3}{8}''=1'-0''$



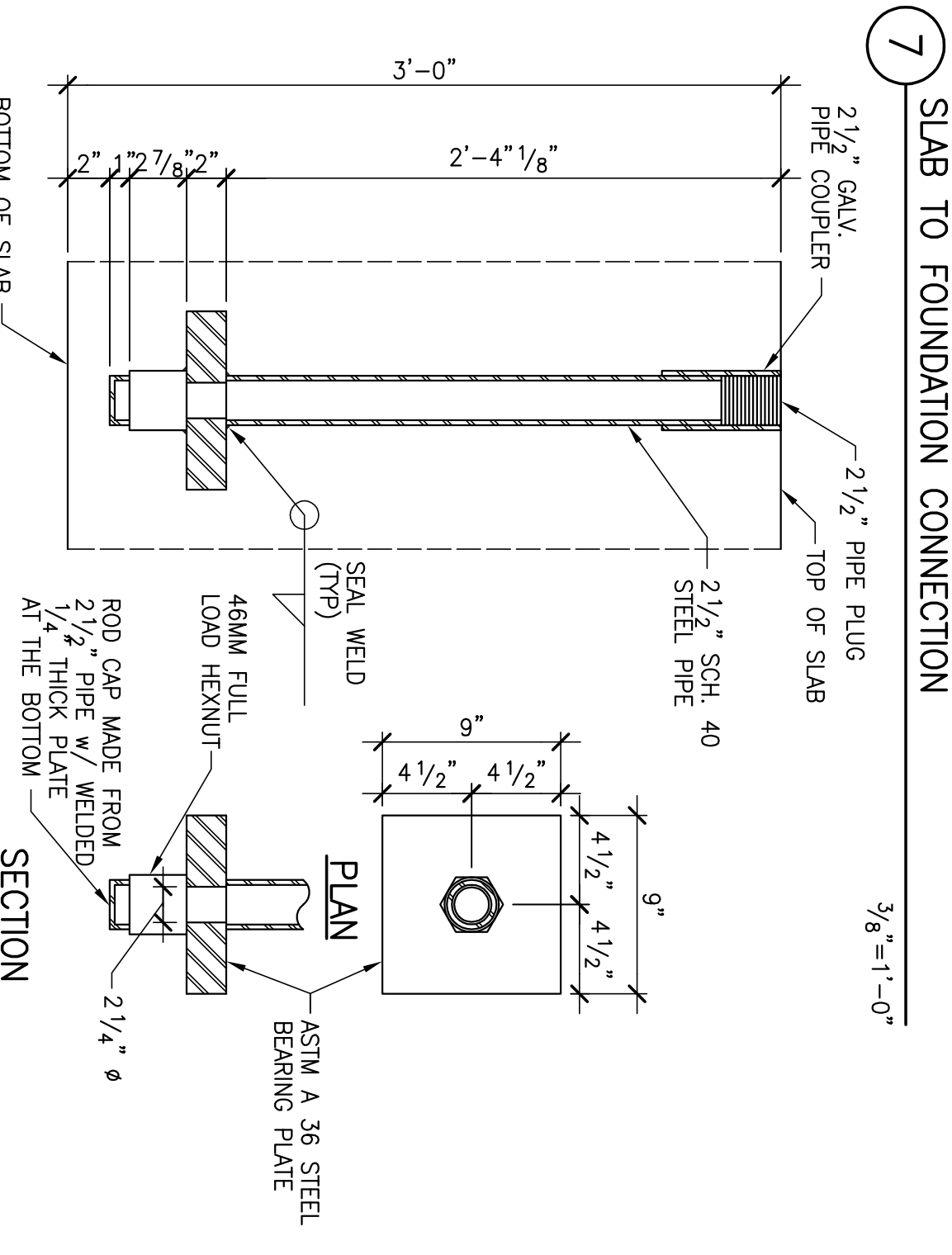
**4 STRONG SLAB LONGITUDINAL REINFORCEMENT**  
 $\frac{3}{8}''=1'-0''$



**5 STRONG SLAB LONGITUDINAL REINFORCEMENT @ EDGE**  
 $\frac{3}{8}''=1'-0''$



**6 SLAB TO FOUNDATION CONNECTION**  
 $\frac{3}{8}''=1'-0''$



**7 SLAB TO FOUNDATION CONNECTION**  
 $\frac{3}{8}''=1'-0''$

**8 TIEDOWN ASSEMBLY SECTION @ STRONG SLAB**  
 $1 1/2''=1'-0''$