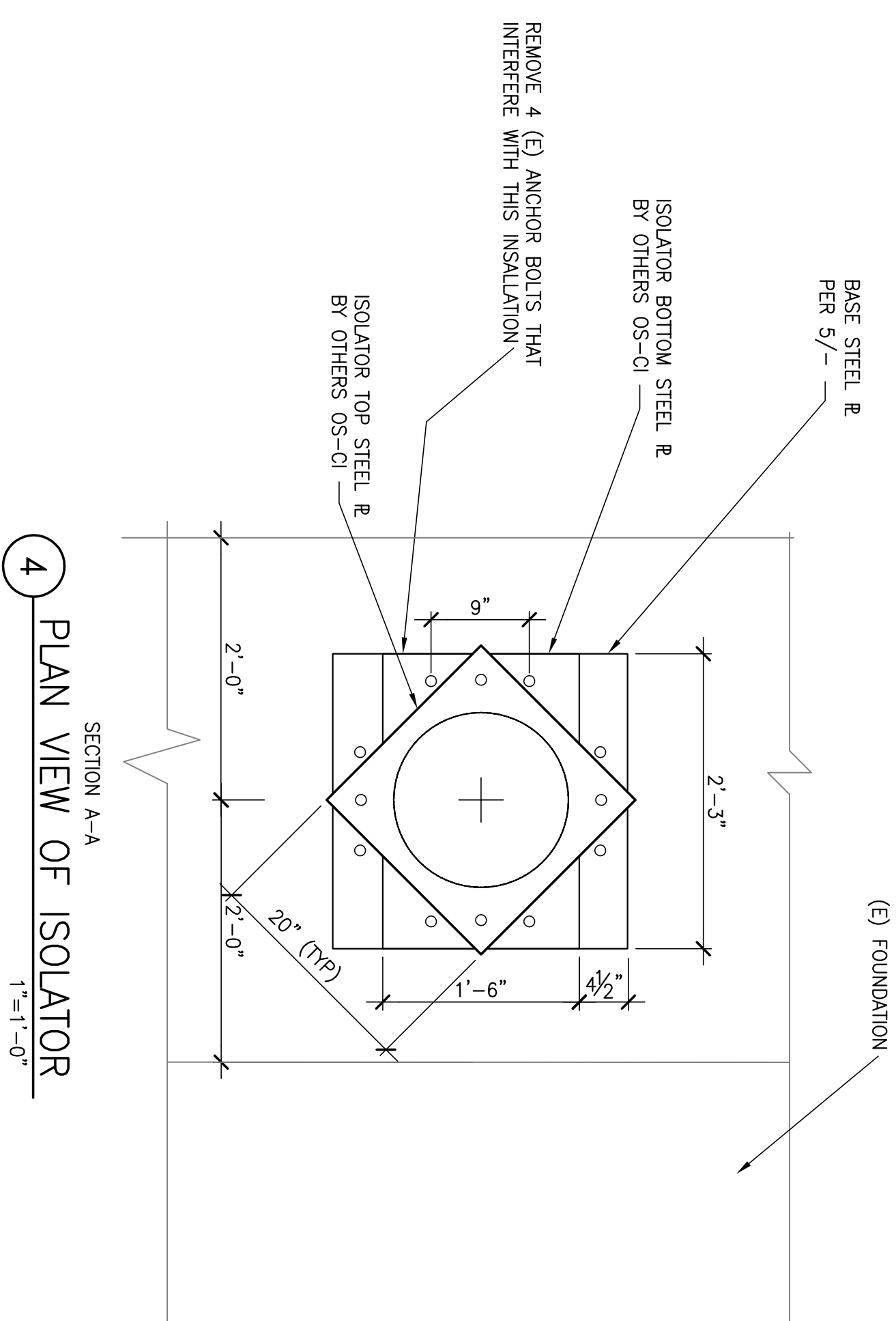
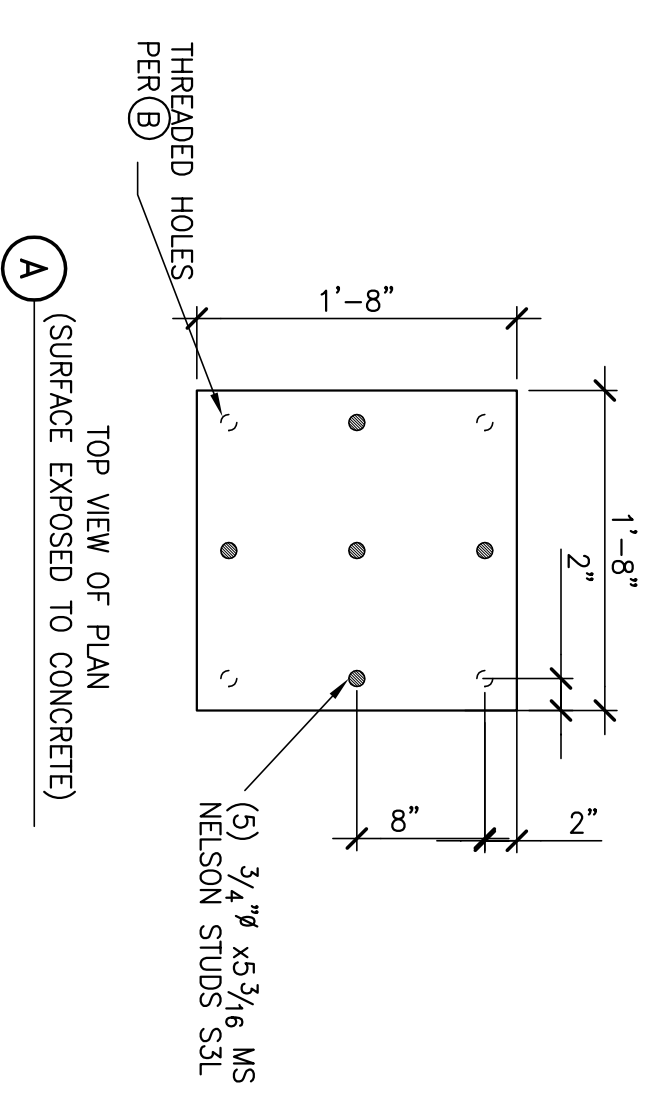


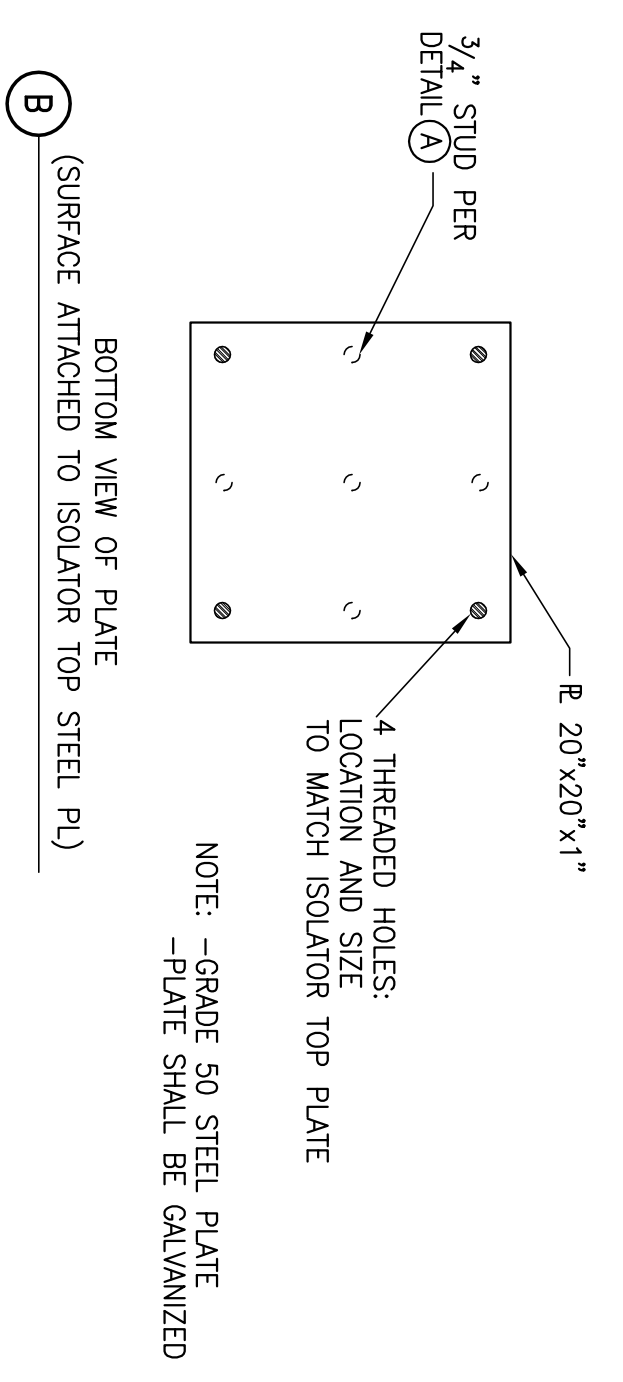
1 CORNER PLATE
1"=1'-0"



4 PLAN VIEW OF ISOLATOR
SECTION A-A
1"=1'-0"

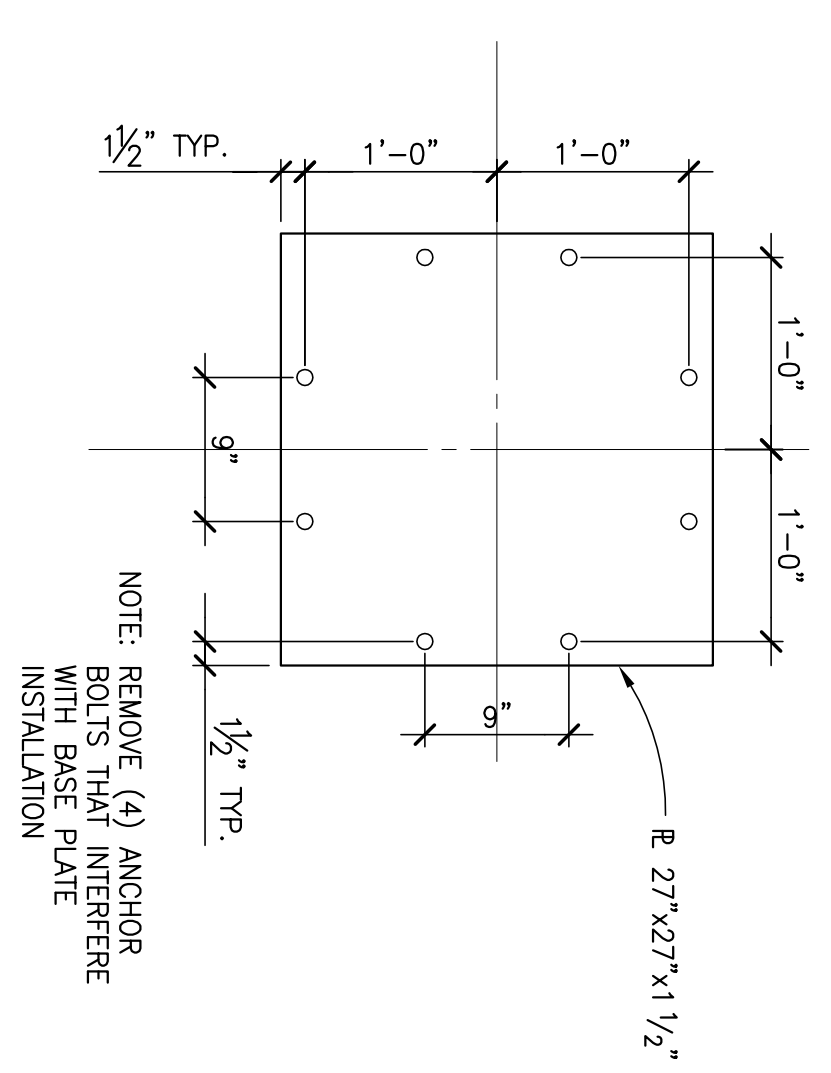


A TOP VIEW OF PLAN
(SURFACE EXPOSED TO CONCRETE)

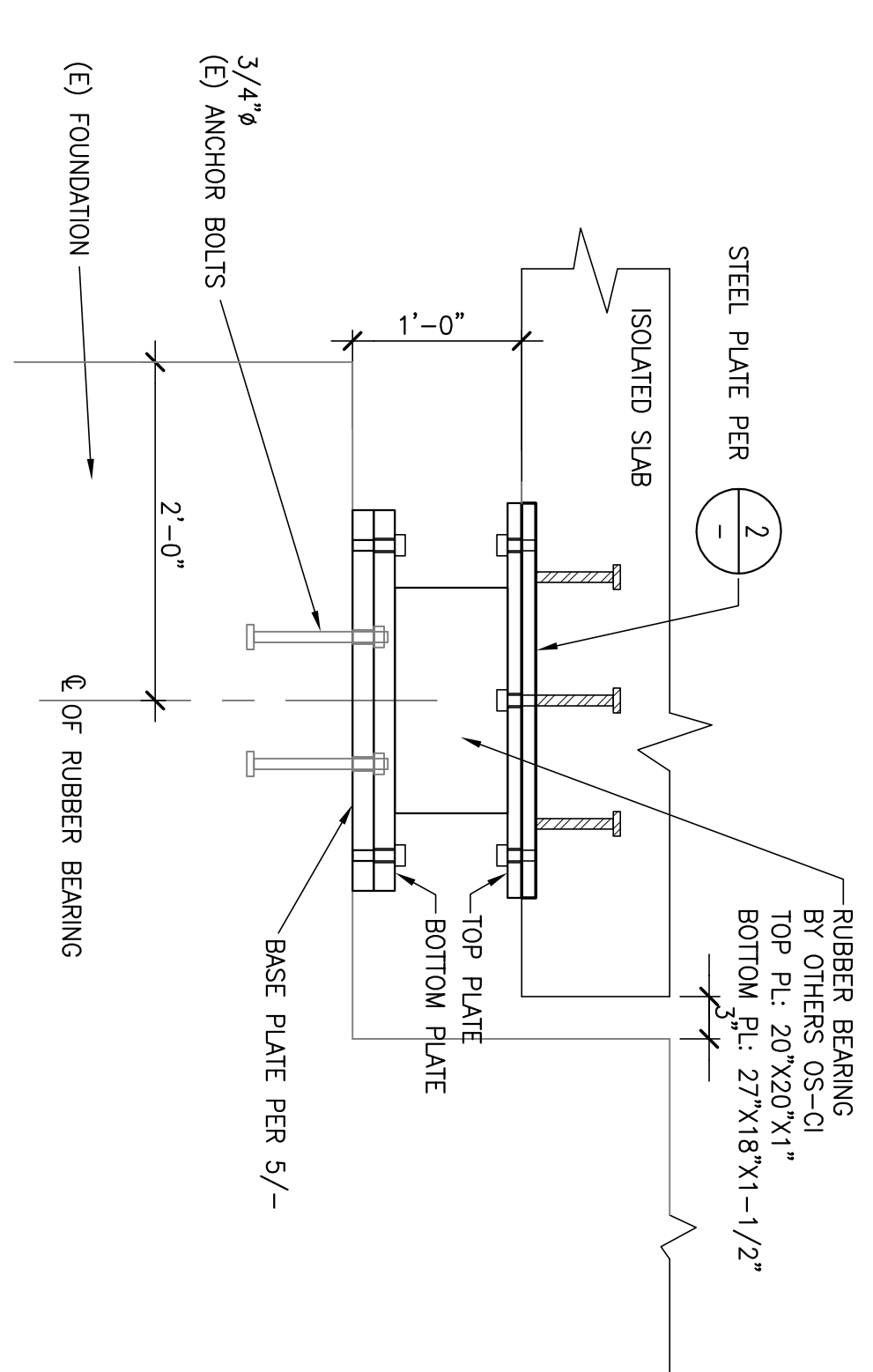


B BOTTOM VIEW OF PLATE
(SURFACE ATTACHED TO ISOLATOR TOP STEEL PL.)

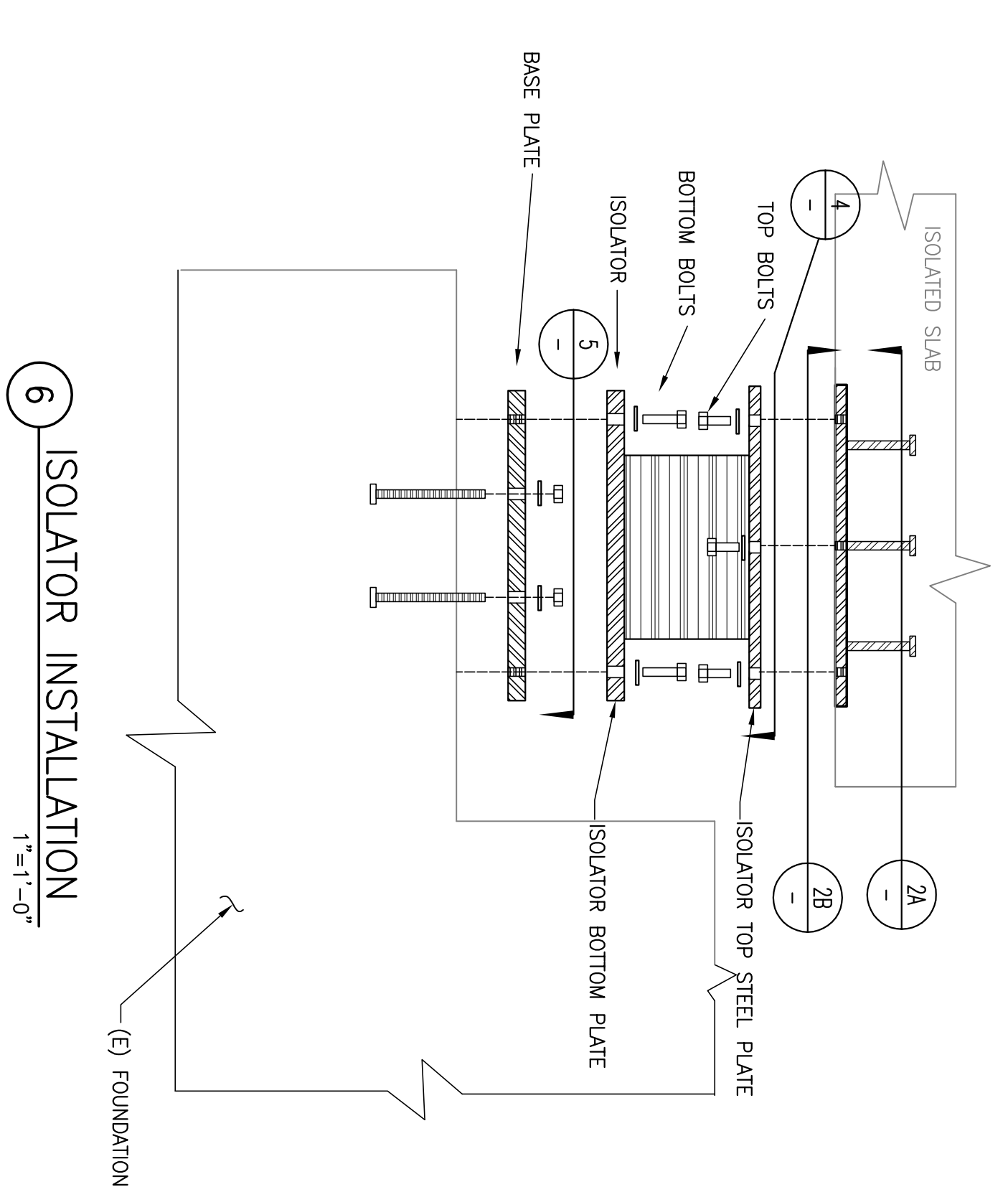
2 STEEL PL @ ISOLATOR
1"=1'-0"



5 BASE PLATE
1"=1'-0"



3 ISOLATOR INSTALLATION
1"=1'-0"



6 ISOLATOR INSTALLATION
1"=1'-0"

NO.	DATE	REVISIONS

**POWELL LAB/CAMP ELLIOTT
FIELD STATION**
ISOLATED BLAST SLAB

UCSD
UNIVERSITY OF CALIFORNIA, SAN DIEGO
OFFICE OF FACILITIES DESIGN AND CONSTRUCTION
LA JOLLA - CALIFORNIA 92093-0916 - (619) 534-2177

PROJECT NO. 104017 DATE: APRIL 12, 2004